

PRODUCT SPECIFICATIONS

Dayton Stainless Steel 33" x 22" x 8" Equal Double Bowl Dual Mount Sink. Sink is manufactured from 18 gauge 300 series Stainless Steel with a , Premium Highlighted Satin finish, Rear Center drain placement, and Bottom only pads.

Installation Type:	Drop-in, Undermount
Material:	300 series Stainless Steel
Special Features:	Slim Rim
Finish:	, Premium Highlighted Satin
Gauge:	18
Sound Deadening:	Bottom only pads
Number of Bowls:	2
Sink Dimensions:	33" x 22" x 8"
Bowl 1 Dimensions:	14-1/2" x 18-5/16" x 8"
Bowl 2 Dimensions:	14-1/2" x 18-5/16" x 8"
Drain Size:	3-1/2" (89mm)
Drain Location:	Rear Center
Minimum Cabinet Size:	36"
Mounting Hardware:	Part # 64090012 included for drop-in installation for countertops up to 3/4" (19mm) thick.
Template Included:	No
Cutout Template #:	1000000358



A Century of Tradition and Quality.
For more than 100 years, Elkay has been making innovative products and providing exceptional customer care. We take pride in offering plumbing products that make life easier, inspire change and leave the world a better place.

Product Compliance: ASME A112.19.3/CSA B45.4
Buy American Act



Sinks are listed by IAPMO® as meeting the applicable requirements of the Uniform Plumbing Code®, International Plumbing Code®, and National Plumbing Code of Canada.

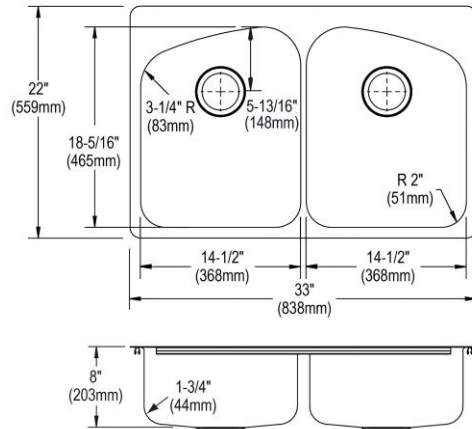
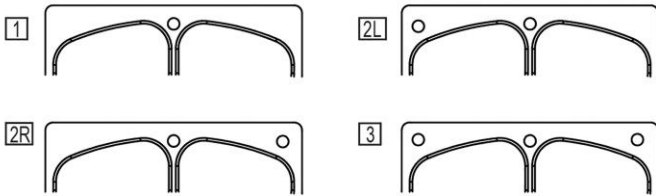
[Clean and Care Manual \(PDF\)](#)
[Installation Instructions \(PDF\) - 1000005237](#)
[Warranty \(PDF\)](#)

Template is available for download at [elkay.com](#). CAD software will be required to open the template.

Cutout Dimensions for Drop-in Installation:
32-3/8" x 21-3/8" (822mm x 543mm) with 1-1/2" (38mm) corner radius

Hole Drilling Configurations:

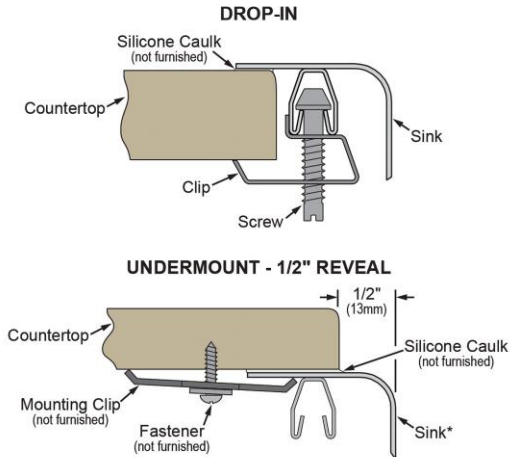
1-1/2" (38mm) Diameter Faucet Holes



PART: _____ QTY: _____
 PROJECT: _____
 CONTACT: _____
 DATE: _____
 NOTES: _____
 APPROVAL: _____

In keeping with our policy of continuing product improvement, Elkay reserves the right to change product specifications without notice. Please visit [elkay.com](#) for the most current version of Elkay product specification sheets. This specification describes an Elkay product with design, quality, and functional benefits to the user. When making a comparison of other producers' offerings, be certain these features are not overlooked.

Installation Profile:



*Designed to affix to the underside of any solid surface countertop.

Optional Accessories		
GOBG1520LSS	Dayton Stainless Steel 13-1/4" x 17-1/16" x 1" Bottom Grid Spec Sheet (PDF)	
GOBG1520RSS	Dayton Stainless Steel 13-1/4" x 17-1/16" x 1" Bottom Grid Spec Sheet (PDF)	
LKCB1520LTHW	Elkay Hardwood 12" x 19-3/4" x 1" Cutting Board - (Top mount installation) Spec Sheet (PDF)	
LKCB1520LUHW	Elkay Hardwood 12" x 20-11/16" x 1" Cutting Board - (Undermount installation) Spec Sheet (PDF)	
D1125	Dayton 3-1/2" Stainless Steel Drain with Removable Basket Strainer and Rubber Stopper Spec Sheet (PDF)	
LKWERBSS	Elkay Stainless Steel 15-3/8" x 12-3/8" x 5-7/16" Rinsing Basket Spec Sheet (PDF)	

In keeping with our policy of continuing product improvement, Elkay reserves the right to change product specifications without notice. Please visit elkay.com for the most current version of Elkay product specification sheets. This specification describes an Elkay product with design, quality, and functional benefits to the user. When making a comparison of other producers' offerings, be certain these features are not overlooked.